

NEW

Tandem Vibratory Roller VMT380/430

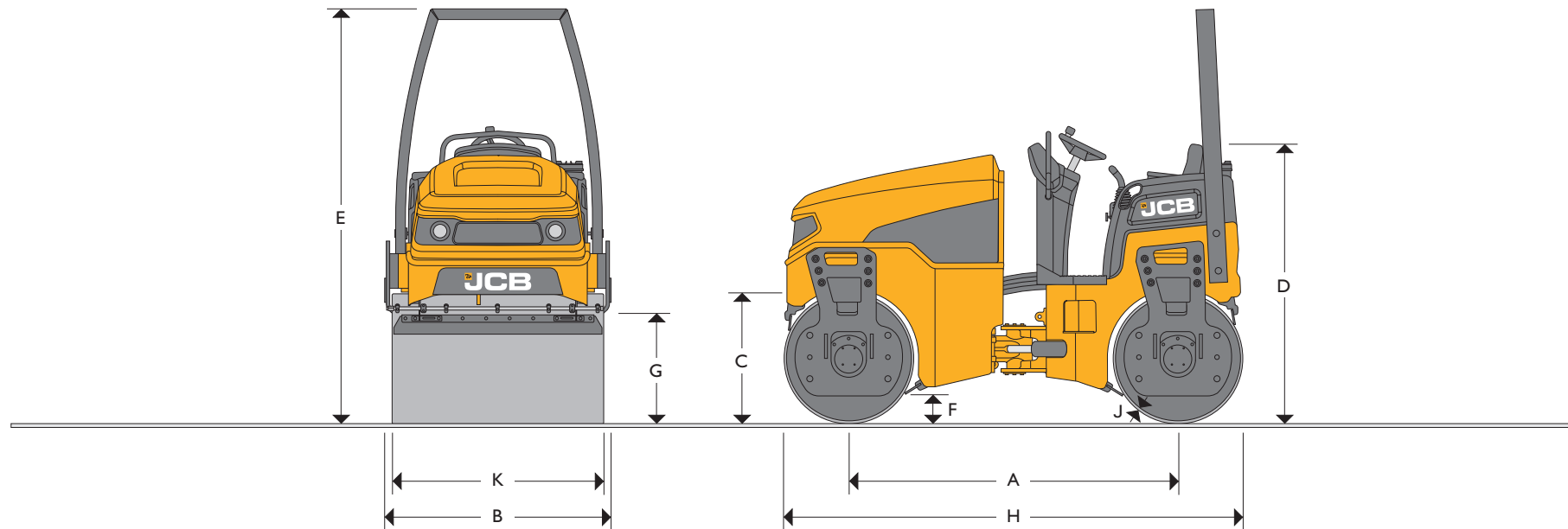


Drum Width: 1300mm – 1400mm (51in – 55in) Operating Weight: 3750kg – 4300kg (8267lb – 9480lb)

A Product of Hard Work



DRUM WIDTH: 1300mm – 1400mm (51in – 55in) OPERATING WEIGHT: 3750kg – 4300kg (8267lb – 9480lb)


STATIC DIMENSIONS

Dimensions in millimetres (in)	VMT380-130	VMT380-140	VMT430-130	VMT430-140
A Wheelbase	2020 (79.5)	2020 (79.5)	2020 (79.5)	2020 (79.5)
B Overall width	1390 (54.7)	1490 (58.6)	1390 (54.7)	1490 (58.6)
C Drum diameter	800 (31.5)	800 (31.5)	800 (31.5)	800 (31.5)
D Height to top of seat	1720 (67.7)	1720 (67.7)	1720 (67.7)	1720 (67.7)
E Height to top of ROPS	2550 (100.4)	2550 (100.4)	2550 (100.4)	2550 (100.4)
F Ground clearance	300 (11.8)	300 (11.8)	300 (11.8)	300 (11.8)
G Curb clearance	680 (26.7)	680 (26.7)	680 (26.7)	680 (26.7)
H Total travel length	2820 (111.0)	2820 (111.0)	2820 (111.0)	2820 (111.0)
J Drum thickness	17 (0.7)	17 (0.7)	17 (0.7)	17 (0.7)
K Drum width	1300 (51.2)	1400 (55.1)	1300 (51.2)	1400 (55.1)

OPERATING DATA

		VMT380-130	VMT380-140	VMT430-130	VMT430-140
Operating weight (CECE)	kg (lb)	3750 (8267)	3850 (8488)	4200 (9259)	4300 (9480)
Maximum operating weight*	kg (lb)	4100 (9039)	4200 (9259)	4550 (10031)	4650 (10251)
Operating linear load	kg/cm (lb/in)	14.4 (31.7)	13.8 (30.4)	16.2 (35.7)	15.4 (33.9)
Exciter frequency	Hz	50 / 59 / 66	50 / 59 / 66	50 / 59 / 66	50 / 59 / 66
Nominal amplitude	mm (in)	0.44 (0.01)	0.44 (0.01)	0.44 (0.01)	0.44 (0.01)
Centrifugal force (each drum)	kN	59	63	59	63
Working speed range	km/h	0 - 9	0 - 9	0 - 9	0 - 9
Drum offset right	mm (in)	80 (3.1)	80 (3.1)	80 (3.1)	80 (3.1)
Steering lock angle	°	± 36	± 36	± 36	± 36
Oscillation angle	°	± 13	± 13	± 13	± 13
Inner turning radius	mm (in)	2490 (98.0)	2440 (96.0)	2490 (98.0)	2440 (96.0)
Gradeability with/without vibration up to	° (%)	22.8/42	22.8/42	22.8/42	22.8/42

ENGINE

Make		Kohler
Model		KDW 2204 (TIER4i)
Type		4 -Stroke Diesel, liquid cooled
Piston displacement	cm ³	2199
Performance	kW (hp)	33.6 (45.7)
Operating speed	min ⁻¹ (rpm)	2700
Starting device		Electric motor
Air cleaner		Dry cartridge plus safety cartridge
Fuel filter		Cartridge

PROPULSION

Hydrostatic with variable displacement pump and fixed displacement motors with direct drive to both drums = double drum drive.

EXCITER DRIVE

Electrically controlled hydrostatic direct drive on both drums for double vibration or single vibration front or rear.

EXCITER

Single-piece circular exciter shaft with one amplitude and three frequencies.

STEERING SYSTEM

Servo assisted, maintenance free articulation with oscillation facility.

SERVICE CAPACITIES

Fuel	litres	100
Sprinkler water	litres	210

BRAKING SYSTEM

Service brake: Hydrostatic drive.
Parking brake: SAHR.

ELECTRICAL SYSTEM

Working lights, backup alarm, safety switch in operators seat.

Voltage	V	12
Battery capacity	Ah	74
Alternator	A	80

DRIVERS STAND/INSTRUMENTS

Fully isolated operator stand, sliding operator seat, ergonomic drive lever with integrated auxiliary hydraulic functions, storage for manuals and tools, tea cup holder, detented throttle with four positions, fuse box well accessible on side of steering column, dashboard will all functions, access and egress to driver stand from both sides with large steps and ergonomic handrails.

OPTIONS

ROPS frame or folding ROPS (standard in CE regions), sun roof for ROPS, road light kit + grid protection, edge cutting and pressing device, chip spreader, flow divider, beacon including under-bonnet storage, water sprinkler off in neutral, DIK standard, DIK supreme, reflective straps on steps, white noise, 2nd drive lever, instrument panel cover, brass nozzles and bar, quick release nozzles, german road homologation, tool kit, bio-degradable hydraulic oil, tropical hydraulic oil, fan guard.

